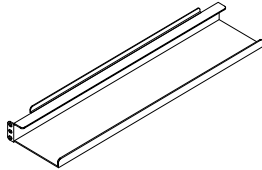
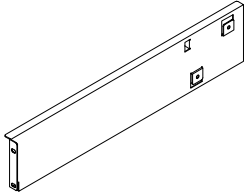
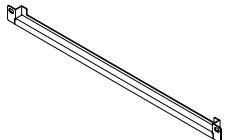
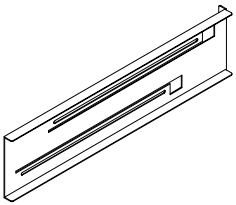
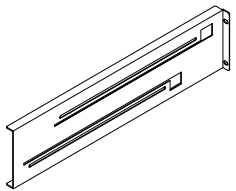


## SunBlade 100 Rack Kit

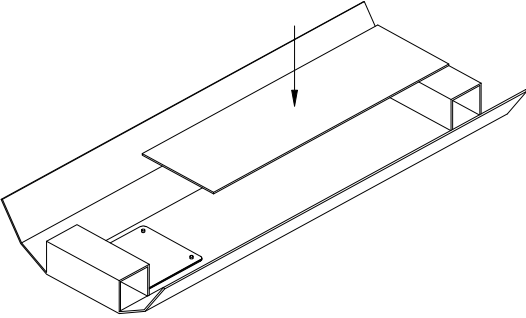
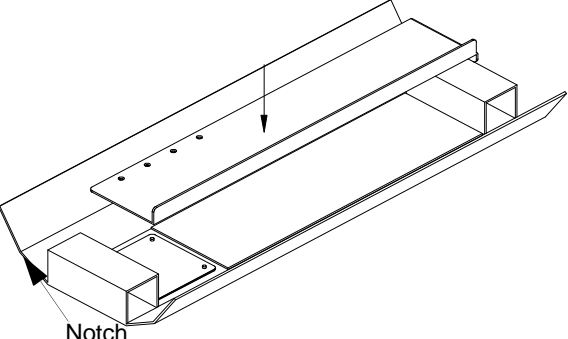
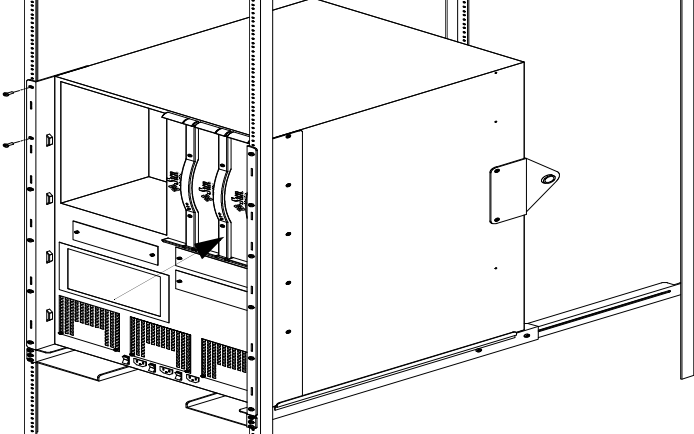
Installation Instructions for the SB100-R19-H  
in 4-post 19-inch EIA Rack Enclosures

SB100-R19-H

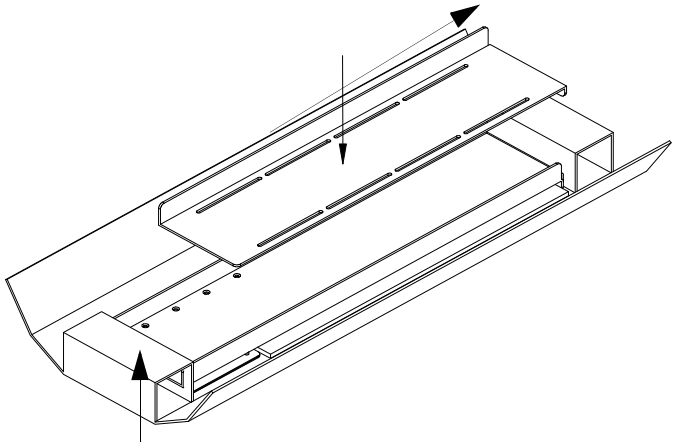
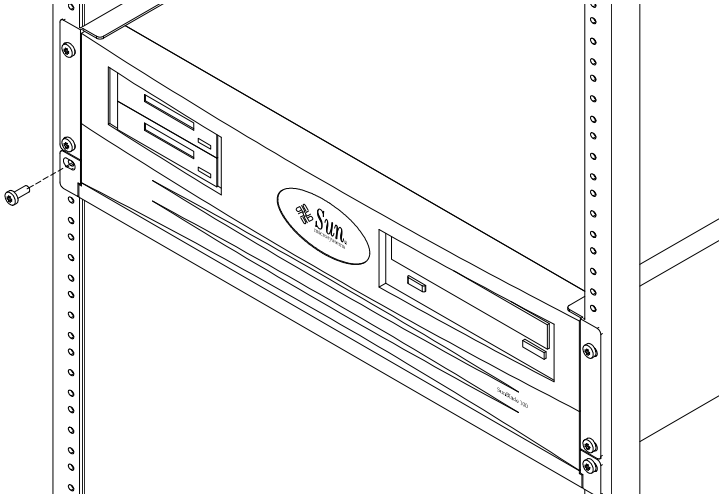
### Kit Contents

List #	Part #	Part Name	Quantity	Detail
1	SH45301	Front Left Bracket	1	
2	SH45302	Front Right Bracket	1	
3	SH45303	Front Trim	1	
4	SH45304	Rear Left Bracket	1	
5	SH45305	Rear Right Bracket	1	
6	SH45306	Hardware Packet • 10-32 x 1/2 Panhead Screw (11)	1	

## Installation Instructions

Step	Detail
<p>1. Measure the distance from the front rack rail to the rear rack rail.</p> <p>Distance = _____</p> <p>2. The rackmount assemblies come pre-assembled. To adjust depth, loosen the (2) #10-32 x 1/2" panhead screws and move the rear bracket to the desired length. Once set at desired length tighten the (2) #10-32 x 1/2" panhead screws.</p>	
<p>3. Once the rackmount kit has been set to the desired length, install it into the rack. Secure the left rackmount assembly by installing (2) #10-32 x 1/2" panhead screws on the front bracket. Use (2) #10-32 x 1/2" panhead screws to secure the rear bracket to the rack.</p> <p><b>NOTE:</b> The notch on the front bracket goes to the bottom.</p> <p>4. Repeat for right side.</p>	
<p>5. Next, install the server onto the rackmount assembly. Place server in the assemblies and push into the cabinet.</p>	

## SunBlade 100 Rack Kit Installation Instructions

Step	Detail
<p>6. Install the front trim piece directly behind the bottom plastic bezel of the SunBlade 100. The trim piece mounting flanges should fit flush with the front of the SunBlade 100.</p> <p><b>NOTE:</b> It may be necessary to pull the SunBlade 100 out of the enclosure slightly in order to install the front trim piece.</p>	
<p>7. Secure the front trim to the vertical mounting rails using (2) #10-32 x 1/2" panhead screws.</p>	

## Warranty

LIMITED WARRANTY AND WARRANTY DISCLAIMER - Seller warrants that the System will be free from defects in materials and workmanship for a period of one (1) year from date of delivery to customer premises. Seller's sole liability and Customer's sole and exclusive remedy for any breach of this warranty is, at Seller's option and expense, to repair or replace any defective System that is returned to it by Customer. Seller will have no obligation under this section to the extent any defect in the System is caused by or is attributable to negligence, accident, misuse, abuse, use of the System than in accordance with Seller's documentation or user manual, modifications, alterations or repairs to the System made by a party other than Seller, or actions of third parties or like events outside Seller's reasonable control. EXCEPT AS EXPRESSLY SET FORTH IN THIS SECTION, TO THE EXTENT PERMITTED BY APPLICABLE LAW, SELLER DISCLAIMS ANY AND ALL OTHER WARRANTIES, WHETHER EXPRESS, IMPLIED, OR STATUTORY, INCLUDING, WITHOUT LIMITATION, ANY IMPLIED WARRANTIES OF MERCHANTABILITY, FITNESS FOR A PARTICULAR PURPOSE, QUALITY, OR NONINFRINGEMENT, AND ANY WARRANTIES ARISING FROM COURSE OF DEALING OR USAGE OF TRADE.

LIMITATIONS OF LIABILITY - IN NO EVENT WILL SELLER BE LIABLE FOR ANY SPECIAL, INCIDENTAL OR CONSEQUENTIAL DAMAGES (INCLUDING, BUT NOT LIMITED TO, LOST PROFITS OR REVENUE, LOSS OF USE, LOST BUSINESS OPPORTUNITIES OR LOSS OF GOODWILL), OR FOR THE COSTS OF PROCURING SUBSTITUTE PRODUCTS, ARISING OUT OF OR IN CONNECTION WITH THESE TERMS OF SALE OR THE USE OF THE SYSTEM, WHETHER SUCH LIABILITY ARISES FROM ANY CLAIM BASED UPON CONTRACT, WARRANTY, TORT (INCLUDING NEGLIGENCE), PRODUCT LIABILITY OR OTHERWISE, WHETHER OR NOT SELLER HAS BEEN ADVISED OF THE POSSIBILITY OF SUCH LOSS OR DAMAGE. IN NO EVENT WILL SELLER'S TOTAL CUMULATIVE LIABILITY, FROM ALL CAUSES OF ACTION AND ALL THEORIES OF LIABILITY, EXCEED THE TOTAL AMOUNTS ACTUALLY PAID TO SELLER BY CUSTOMER UNDER THE ORDER THAT GIVES RISE TO ANY LIABILITY HEREUNDER.